
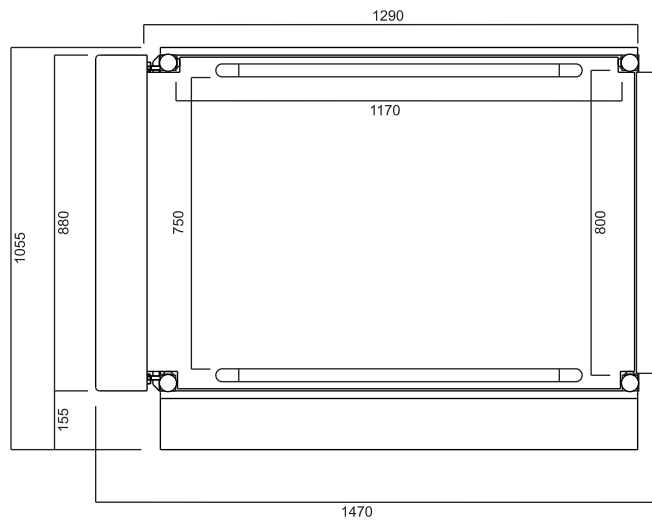
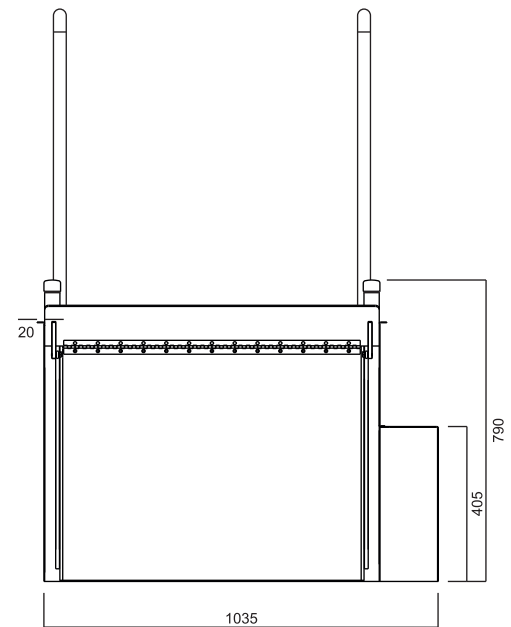
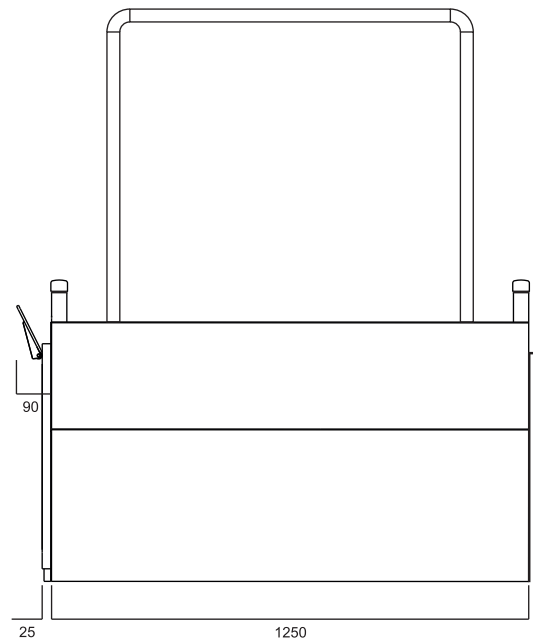
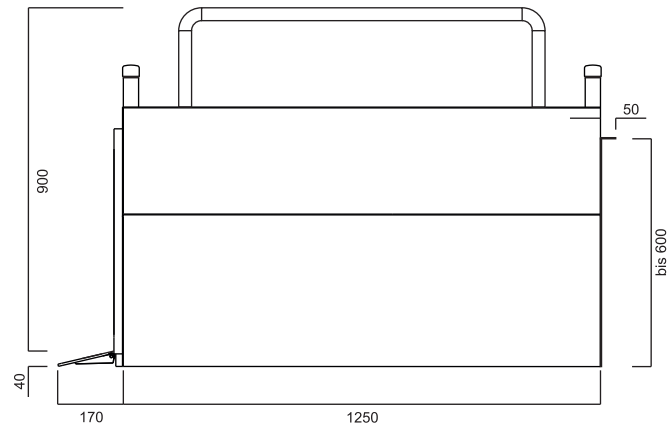



|   |            |       |      | alle Maße in mm                              |         |
|---|------------|-------|------|--|---------|
|  |            |       |      | Datum  | Name    |
|   |            |       |      | Bearb.                                       | 09/2012 |
|   |            |       |      | Gepr.  |         |
|   |            |       |      | Hebelifte HBL600 Typ G<br>Motorgehäuse links |         |
|   |            |       |      |  |         |
| Zust.   | Änderungen | Datum | Name |  |         |



|   |                |       |      |   |            |  |  |
|---|----------------|-------|------|---|------------|--|--|
| <br>Rolllstuhlrampen & Hebelifte |                |       |      | alle Maße in mm                               |            |  |  |
|   |                |       |      | Hebelifte HBL600 Typ G<br>Motorgehäuse rechts |            |  |  |
|   | Datum          | Name  |      |   |            |  |  |
|   | Bearb. 09/2012 |       |      |   |            |  |  |
|   | Gepr.          |       |      |   |            |  |  |
|   | Norm           |       |      |   |            |  |  |
|   |                |       |      |   |            |  |  |
|   |                |       |      |   |            |  |  |
|   |                |       |      |   |            |  |  |
|   |                |       |      |   |            |  |  |
| Zust.   | Änderungen     | Datum | Name |   | Blatt<br>1 |  |  |