

Query Order
Section ramps

Fill in and send by fax to 0421/24105-15 or to info@rollstuhlrampen.de



Name

Street, House No.

Postcode, City, Country

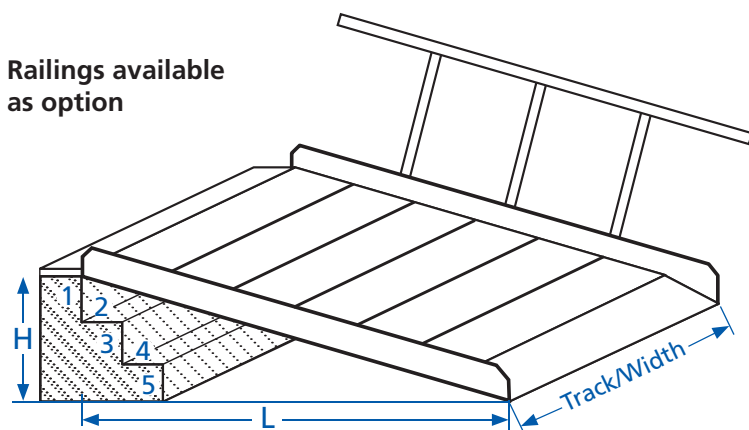
Telephone / Fax

Contact

E-mail

Commission

Railings available as option



- E-wheelchair
- Self-operator without e-drive
- Is pushed

Pushing person:

- Light Heavy

Weight wheelchair + person: _____ kg

Max . load up to 400 kg!

Please, dimension the stairs!
 From 4m length, in two pieces for the transportation

Track / Width:

- 80 / 88 cm
- 100 / 108 cm
- 120 / 128 cm
- _____ / _____ cm

Railings:

- without Railing
- both sides
- on one side, in moving direction top left
- on one side, in moving direction top right

L: _____ cm

H: _____ cm

1: _____ cm

2: _____ cm

3: _____ cm

4: _____ cm

5: _____ cm

Is your step situation missing? Please draw your own sketch here:

Query Order

Platforms for section ramps

Fill in and send by fax to 0421/24105-15 or to info@rollstuhlrampen.de

Name

Street, House No.

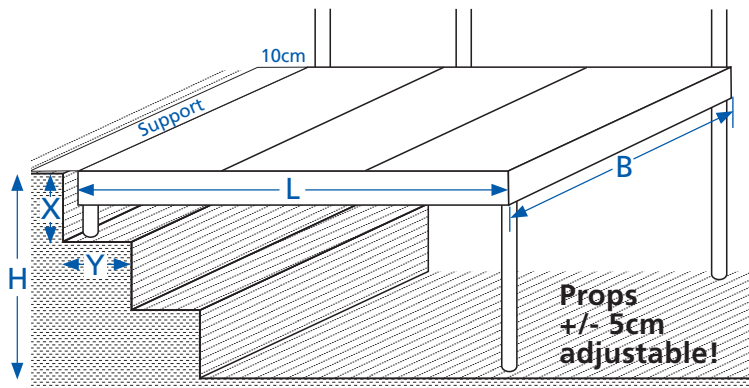
Postcode, City, Country

Telephone / Fax

Contact



E-mail

Commission



Load up to 400 kg

- Additional steps on platform:

- The number of steps is based on the total height, see examples X on the reverse side.
- Without railings, but with overrun protection
- Railings: left and right 
- Railings over corner 

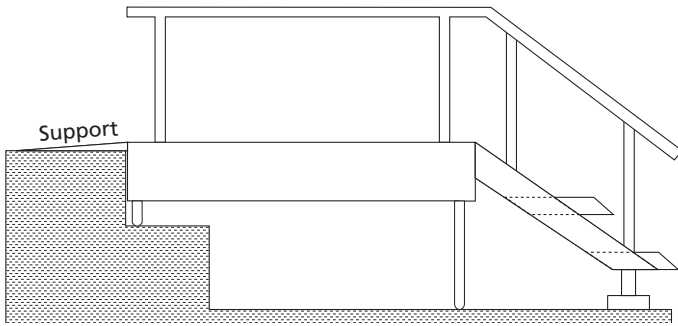
Please also see the examples and instructions on the reverse side!

Length	Width
<input type="checkbox"/> 88 cm	<input type="checkbox"/> 100 cm
<input type="checkbox"/> 128 cm	<input type="checkbox"/> 120 cm
<input type="checkbox"/> 168 cm	<input type="checkbox"/> 150 cm
<input type="checkbox"/> 208 cm	<input type="checkbox"/> _____ cm
H: _____ cm	<input type="checkbox"/> 10 cm support for existing step
X: _____ cm	<input type="checkbox"/> without support
Y: _____ cm	

*Is your step situation missing? Please draw your own sketch here:
(Please also see the examples on the reverse side)*



Examples Platforms for section ramps



Example:

Platform with railings and steps

The number of steps is based on the total height!

